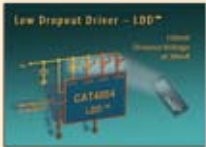
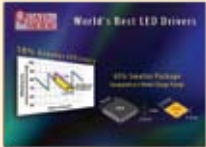
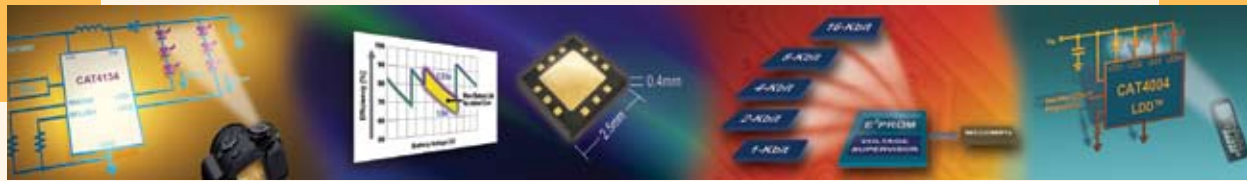


# PRODUCT GUIDE 2008





# CATALYST TAKES YOU BEYOND MEMORY

## LEADING-EDGE PRODUCTS

Rapidly growing Analog and Mixed Signal product lines.

## BROAD LINE OF EEPROMs

Serial and Parallel.

## AWARD-WINNING PRODUCTS

Quad-Mode™ LED Drivers.

## PROVEN HIGH VOLUME

Catalyst delivers over 150 million ICs every quarter.<sup>1</sup>

## WORLD-CLASS QUALITY

ISO 9001:2000 certified.



### Smarter. Smaller. Lower power. Lower cost.

Today's designers need every edge. From consumer applications, to communications, automotive instrumentation, industrial equipment and LCD displays, Catalyst can make the difference. Catalyst goes beyond memory – to deliver the power of analog, mixed signal and programmable memory. Our commitment is to help designers balance system performance and board costs via our proven, high-volume, cost-effective global technology development and manufacturing processes.

We offer a rapidly growing portfolio of analog, mixed signal and non-volatile memory ICs, many of which incorporate our Quantum Charge Programmable™ technology to deliver Adaptive Analog™ products, which offer a new level of flexibility, lower power and smaller die size.

Our strategy combines a fabless business model with in-house design centers in North America and Europe to deliver the high performance, low cost and fast time-to-market required for success in today's global electronics markets.

Catalyst is a financially sound, publicly traded<sup>2</sup> company, with a proven history of delivering high quality products in high volume for over 20 years.

#### Notes:

1 Approximate quarterly average, as of FY Q 1 2008.

2 Catalyst Semiconductor is traded on the NASDAQ equities exchange. The trading symbol is: CATS.

2008 Product Guide Contents

Mixed Signal Products

- LED Drivers ..... 2
- DC-DC Converters ..... 6
- Linear Voltage Regulators..... 6
- Bus Products..... 7
- Voltage Supervisors..... 8
- Digital Potentiometers (DPP™) ..... 10

Memory Products ..... 13

- Serial EEPROMs ..... 14
- Parallel EEPROMs..... 17
- FLASH Memories ..... 17
- NVRAM ..... 17

Catalyst “Green” Solutions..... 18

Package Information ..... 19

Catalyst Semiconductor Regional Sales Offices..... 20

Customer Satisfaction ..... 20

Technical Support..... 20

Product Policies ..... 21



## LED DRIVERS

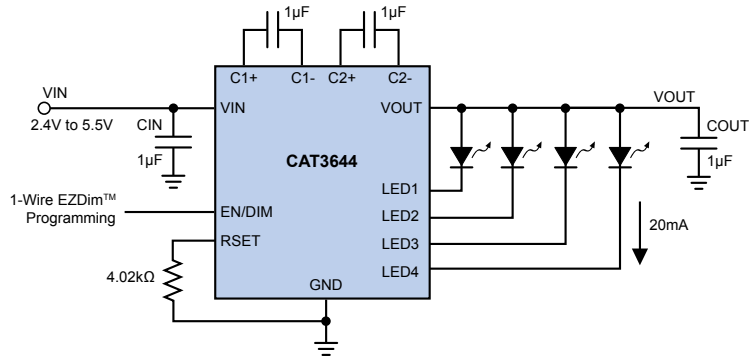
### CAT3643 / CAT3644 Quad-Mode™ LED Drivers Offer 10% Higher Efficiency



The CAT3643 and CAT3644 offer industry-leading efficiency and charge pump simplicity without adding cost, components or board space.

#### FEATURES

- ✓ Fourth charge pump mode achieves 1.33x boost mode with only 2 flying capacitors
- ✓ Power efficiency 92% maximum, lifetime average efficiency 84%
- ✓ CAT3643 drives up to 3 LEDs (32mA each)
- ✓ CAT3644 drives up to 4 LEDs (32mA each)
- ✓ 1-wire EZDim™ LED current programming

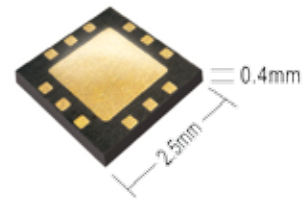


#### PACKAGE INFORMATION

- CAT3643: Ultra-small XQFN 12-Pad (2.5mm x 2.5mm) (0.4mm height)  
TDFN 12-Pad (3mm x 3mm)  
TQFN 16-Pad (3mm x 3mm)
- CAT3644: TQFN 16-Pad (3mm x 3mm)

#### APPLICATIONS

- LCD display backlights
- Color RGB LEDs
- Handheld devices
- GPS systems
- Thermostat controllers



Ultra-small, 2.5 x 2.5mm, low-profile (0.4mm)  
12-Pad XQFN package

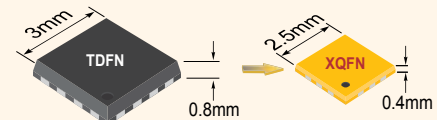
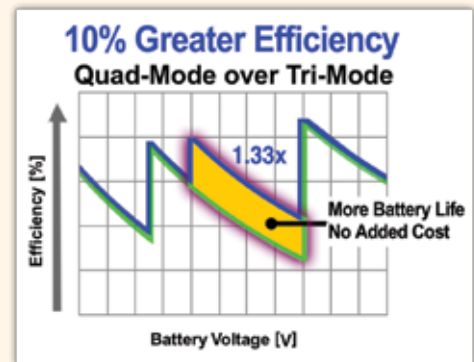
### World's Best Charge Pump Architecture Delivers 10% More Efficiency



Catalyst Semiconductor's innovative, patented Quad-Mode™ charge pump switching architecture delivers high efficiency levels normally associated with inductor-based LED drivers, while eliminating the high-profile inductors and unwanted EMI.

Most charge pump LED drivers today offer three modes of operation corresponding to the ratio of the output voltage to the input voltage: 1x, 1.5x and 2x. Catalyst's Quad-Mode architecture incorporates a fourth mode of operation, 1.33x, without the need for the additional capacitor required by all existing four-mode charge pumps. The 1.33x fractional operating mode also reduces the input switching currents seen at the battery, minimizing the overall supply noise – a critical parameter in portable devices such as cell phones.

Catalyst Quad-Mode LED drivers deliver 10% greater efficiency compared to traditional charge pumps, extending battery life with no added cost or components.



**LED DRIVERS**

**Charge Pump / Parallel Configuration**  
Fractional Charge Pumps with Regulated Output Current

Part Number	V <sub>IN</sub> [V]	LEDs	Total I <sub>OUT</sub> (max) [mA]	RSET Control	Dimming Interface	Pump Modes	Packages (size in mm)
CAT3603	2.7 - 5.5	3	90	Yes	PWM	1x / 1.5x	TDFN-12 (3 x 3)
CAT3604	2.7 - 5.5	4	120	Yes	PWM	1x / 1.5x	TQFN-16 (4 x 4)
CAT3606	2.7 - 5.5	6	180	Yes	PWM	1x / 1.5x	TQFN-16 (4 x 4)
CAT3612	2.7 - 5.5	2	300	–	1-Wire (32 levels)	1x / 1.5x	TDFN-12 (3 x 3)
CAT3614	2.7 - 5.5	4	124	–	1-Wire (32 levels)	1x / 1.5x	TDFN-12 (3 x 3)
CAT3616	2.7 - 5.5	6	186	–	1-Wire (32 levels)	1x / 1.5x	TQFN-16 (4 x 4)
CAT3626	2.7 - 5.5	6	192	–	I <sup>2</sup> C™	1x / 1.5x	TQFN-16 (4 x 4)
CAT3604V	2.7 - 5.5	4	120	Yes	PWM	1x / 1.33x / 1.5x / 2x	TQFN-16 (4 x 4)
CAT3636	2.2 - 5.5	6	192	–	1-Wire (32 levels)	1x / 1.33x / 1.5x / 2x	TQFN-16 (3 x 3)
CAT3637	2.2 - 5.5	6	192	–	1-Wire (16 levels)	1x / 1.33x / 1.5x / 2x	TQFN-16 (3 x 3)
CAT3643	2.2 - 5.5	3	90	Yes	1-Wire (6 levels)	1x / 1.33x / 1.5x / 2x	XQFN-12 (2.5 x 2.5) (0.4 height) TDFN-12 (3 x 3), TQFN-16 (3 x 3)
CAT3644	2.2 - 5.5	4	100	Yes	1-Wire (6 levels)	1x / 1.33x / 1.5x / 2x	TQFN-16 (3 x 3)
CAT3647	2.2 - 5.5	3	100	Yes	1-Wire (32 levels)	1x / 1.33x / 1.5x / 2x	TQFN-16 (3 x 3)
CAT3648	2.2 - 5.5	4	100	Yes	1-Wire (32 levels)	1x / 1.33x / 1.5x / 2x	TQFN-16 (3 x 3)

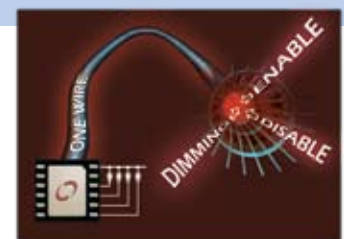
**QUAD-MODE**

**Inductive Boost / Series Configuration**  
Low Noise Step-Up LED Drivers

Part Number	V <sub>IN</sub> [V]	LEDs	V <sub>FB</sub> , V <sub>RSET</sub> [mV]	I <sub>SW-LIM</sub> [mA]	V <sub>OUT</sub> (max) [V]	Dimming Interface	Packages (size in mm)
CAT37	2.0 - 5.5	4	95	350	20	PWM	TSOT23-5
CAT4137	2.0 - 5.5	5	300	350	24	PWM	TSOT23-5
CAT4237	2.0 - 5.5	8	300	450	34	PWM	TSOT23-5
CAT4238	2.0 - 5.5	10	300	450	38	PWM	TSOT23-5
CAT4139	2.0 - 5.5	5	300	850	24	PWM	TSOT23-5
CAT4240	2.0 - 5.5	10	300	850	38	PWM	TSOT23-5
CAT32	2.0 - 5.5	4	95	350	20	PWM	TSOT23-6
CAT4134	2.0 - 5.5	2 x 3	1200	2000	16	PWM	TDFN-12 (3 x 3)

**1-Wire EZDim™ LED/Flash Interface Simplifies Programming**

For programming simplicity, Catalyst's EZDim™ interface helps reduce system complexity by providing full programmability of flash and LED functions via one wire. This allows users to enable/disable outputs, manage flash brightness level, and control LED dimming all from a single I/O on the MCU.



**R<sub>SET</sub> Minimizes Programming Overhead**

Catalyst offers an R<sub>SET</sub> function for a number of LED drivers to minimize programming overhead by allowing the maximum full-scale LED brightness level at power-on to be set via a single external resistor.

LED Drivers  
DC/DC Converters  
Linear Voltage Regulators  
Bus Products  
Voltage Supervisors  
Digital Potentiometers  
Serial EEPROMs  
Parallel EEPROMs  
FLASH Memories  
NVRAM

## LED DRIVERS

Linear LED Drivers						
Serial Interface Display Drivers						
Part Number	V <sub>IN</sub> [V]	LEDs	Total I <sub>OUT</sub> (max) [mA]	V <sub>OUT</sub> (max) [V]	Dimming Interface	Packages
CAT310	5.5	10	500	40	PWM	SOIC-20
CAT4004	2.0 - 5.5	4	100	-	1-Wire	TDFN-8 (2 x 3mm)
CAT4008	3.0 - 5.5	8	800	-	4-Wire	SOIC-16, TSSOP-16
CAT4016	3.0 - 5.5	16	1600	-	4-Wire	QSOP-24, SOIC-24, TQFN-24 (4 x 4mm), TSSOP-24

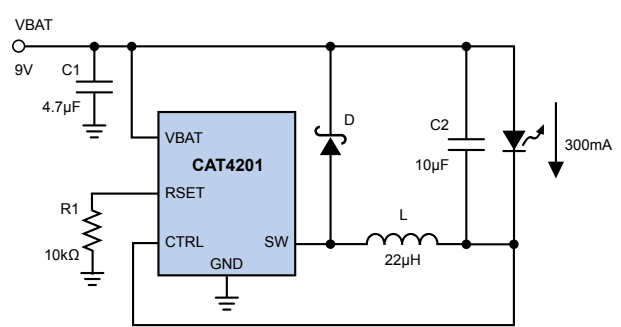
Inductive Buck Series Configuration						
High-Voltage, Step-Down Converter with Regulated Current Control						
Part Number	V <sub>IN</sub> [V]	LEDs	Total I <sub>OUT</sub> (max) [mA]	Dimming Interface	R <sub>SET</sub> Control	Package
CAT4201	7 - 24	7	350	PWM	Yes	TSOT23-5

### CAT4201 High-Power Buck LED Driver – Smaller, More Efficient Alternative to Linear Drivers

The CAT4201 inductive buck converter offers a simpler and dramatically smaller alternative to linear regulators for driving high-brightness LEDs in step-down applications, including automotive and general lighting.

#### FEATURES

- ✓ Drives up to 7 LEDs in series (24V systems)
- ✓ Regulates LED currents up to 350mA
- ✓ 12V to 24V system compatible
- ✓ Handles transients up to 40V
- ✓ 94% power efficiency
- ✓ Eliminates need for dedicated heat sink
- ✓ Single Pin Control and Dimming functions



#### PACKAGE INFORMATION

- Tiny, space-saving TSOT-23, 5-Lead

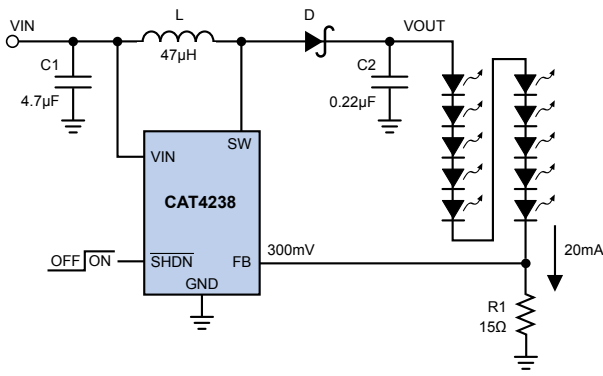


#### APPLICATIONS

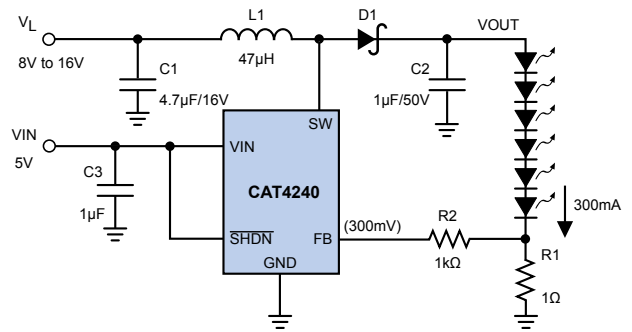
- Transportation
  - Automotive illumination lighting
  - Turn signal, brake, interior lights
  - Aircraft
  - Interior lighting
- General Lighting
  - Light bulb replacement
  - Gaming lights
  - Decorative lighting
- Signage
  - Roadway signage

# LED DRIVERS: BACKLIGHTING / ILLUMINATION / BILLBOARDS

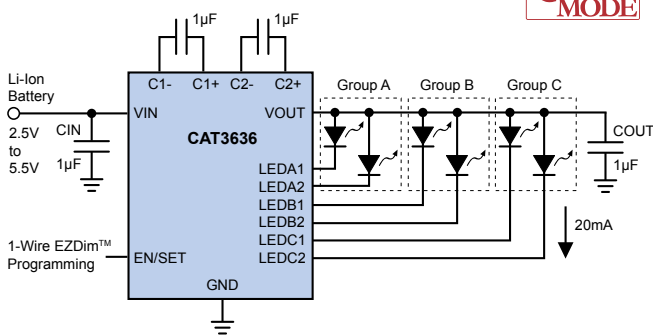
**CAT4238 High Voltage 10 LED Boost Converter**



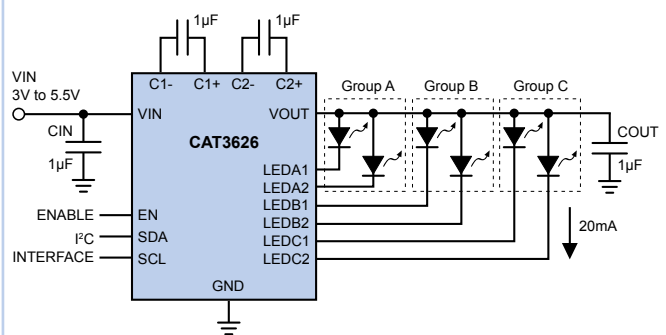
**CAT4240 High-Voltage, High-Current Boost LED Driver**



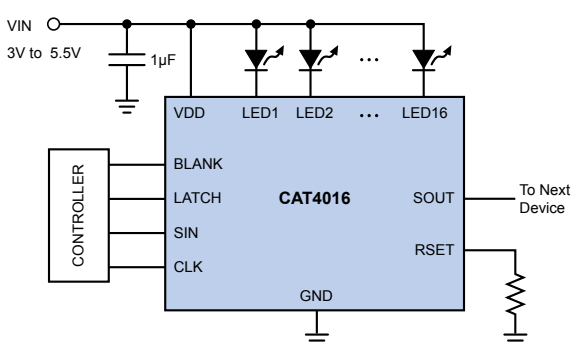
**CAT3636 6-Channel Quad-Mode™ Fractional LED Driver**



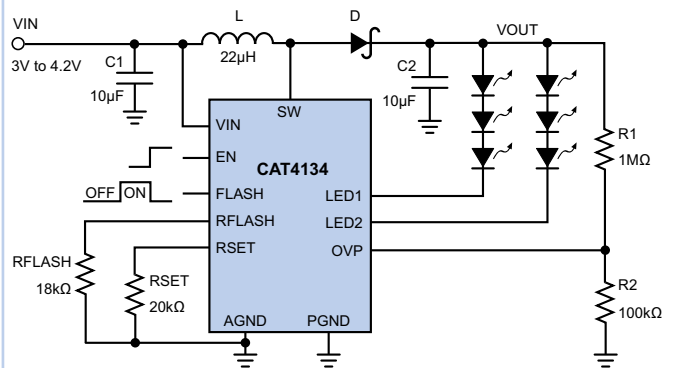
**CAT3626 6-Channel LED Driver with I<sup>2</sup>C™ Interface**



**CAT4016 16-Channel Constant Current LED Driver**



**CAT4134 500mA Flash/Movie Mode LED Driver**





## DC-DC CONVERTERS

### DC-DC Converters Charge Pumps

#### Low Noise Regulated Charge Pumps

Part Number	V <sub>IN</sub> [V]	Frequency (typ) [MHz]	Total I <sub>OUT</sub> (max) [mA]	R <sub>OUT</sub> (typical) [Ω]	Pump Modes	V <sub>OUT</sub> (max) [V]	Packages
CAT3200	2.7 - 4.5	2	100	10	2x	6 (adjustable)	MSOP-8
CAT3200-5	2.7 - 4.5	2	100	10	2x	5 (fixed)	TSOT23-6

#### Charge Pump Doublers and Inverters

Part Number	V <sub>IN</sub> [V]	Frequency (typ) [kHz]	Total I <sub>OUT</sub> (max) [mA]	R <sub>OUT</sub> (typical) [Ω]	Pump Modes	V <sub>OUT</sub> (max) [V]	Packages
CAT660	1.5 - 5.5	80	100	4	+2x, -1x	11	PDIP-8, SOIC-8
CAT661	1.5 - 5.5	135	100	4	+2x, -1x	11	PDIP-8, SOIC-8

## LINEAR VOLTAGE REGULATORS

### Shunt Regulator Regulator

Part Number	Type	Reference Voltage [V]	Voltage Across Temperature <sup>1</sup> [V]		V <sub>IN</sub> [V]	Initial Accuracy	Package
			Min	Max			
CAT102	Shunt	0.6	0.588	0.612	2.2 to 18	±1%	TSOT23-5

### Low Dropout Regulators

Part Number	No. of Outputs	Type	I <sub>OUT</sub> [mA]	V <sub>OUT</sub> [V]	V <sub>IN</sub> [V]	V <sub>DROPOUT</sub> [mV]	Packages (size in mm)
CAT6217	1	LDO	150	1.5, 1.8, 2.5, 2.8, 2.85, 3.3	2.3 to 5.5	150	TSOT23-5
CAT6218	1	LDO	300	1.8, 2.4, 2.7, 2.85, 3.0, 3.2, 3.3	2.3 to 5.5	300	TSOT23-5
CAT6219	1	LDO	500	1.8, 2.85, 3.3	2.3 to 5.5	500	TSOT23-5, TDFN-6
CAT6221	2	LDO	300, 300	1.5, 1.8, 2.5, 2.7, 2.8, 3.0, 3.3	2.3 to 5.5	300	TSOT23-6 (0.8 height)

Note:

1 Operating temperature range of -40°C to +85°C with junction temperatures from -40°C to +105°C.

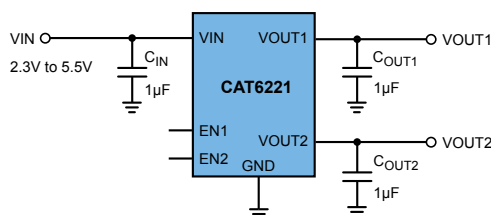
### CAT6221 Two LDO Regulators in Space-Saving TSOT-23

#### FEATURES

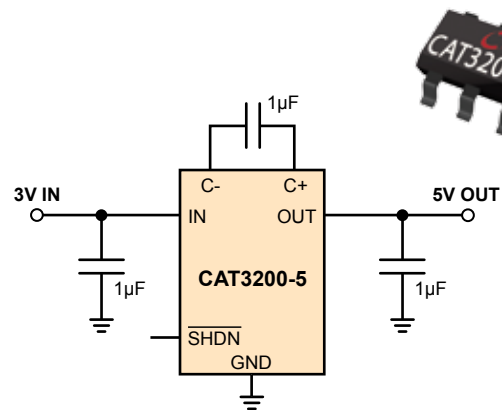
- ✓ Two outputs with guaranteed 300mA peak output current
- ✓ Low dropout voltages of 210mV typical at 300mA
- ✓ Each LDO optimized for low noise and high crosstalk isolation
- ✓ 1% initial accuracy

#### PACKAGE INFORMATION

- TSOT-23, 6-Lead (0.8mm height)



### CAT3200-5 Regulated 5V Charge Pump LED Driver





## BUS PRODUCTS

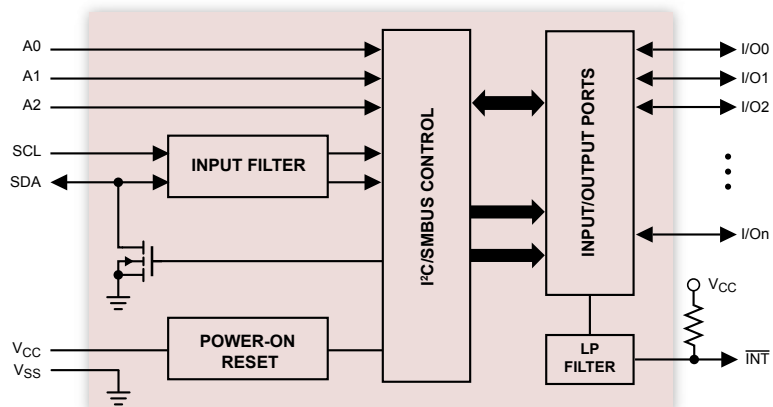
**CAT9554** 8-bit I<sup>2</sup>C™ and SMBus I/O Port Expander with Interrupt  
**CAT9555** 16-bit I<sup>2</sup>C™ and SMBus I/O Port Expander with Interrupt

### FEATURES

- ✓ 2.3V to 5.5V operation
- ✓ 400kHz I<sup>2</sup>C bus compatible
- ✓ 5V tolerant I/Os
- ✓ High drive capability
- ✓ Drive LEDs by sinking 25mA current
- ✓ Active low interrupt output
- ✓ Individual I/O configuration
- ✓ Cascadable up to 8 devices
- ✓ Internal power-on reset
- ✓ Noise filter on SDA/SCL inputs
- ✓ Industrial temperature range

### PACKAGE INFORMATION

- SOIC 16-Lead (CAT9554), SOIC 24-Lead (CAT9555)
- TSSOP 16-Lead (CAT9554), TSSOP 24-Lead (CAT9555)
- TQFN 16-Pad (4 x 4mm) (CAT9554), TQFN 24-Pad (4 x 4mm) (CAT9555)
- Pin compatible with PCA9554 / 9554A and PCA9555



**Notes:**  
 All I/Os are set to INPUTs at RESET.  
 n = 7 for CAT9554 / CAT9554A  
 n = 15 for CAT9555

Catalyst Semiconductor is licensed by Philips Corporation to carry the I<sup>2</sup>C Bus Protocol.

### Bus Products

Part Number	I/Os	Cascadable	Operating Voltage [V]	$\overline{\text{INT}}$	Internal I/O Pullups	LED Blink / PWM	Packages (size in mm)
CAT9534	8 GPIO	8 Slave ID Addresses	2.3 to 5.5	✓		NA	SOIC-16 <sup>1</sup> , TSSOP-16, TQFN-16 (4 x 4)
CAT9554	8 GPIO	8 Slave ID Addresses	2.3 to 5.5	✓	✓	NA	SOIC-16 <sup>1</sup> , TSSOP-16, TQFN-16 (4 x 4)
CAT9554A	8 GPIO	8 Slave ID Addresses	2.3 to 5.5	✓	✓	NA	SOIC-16 <sup>1</sup> , TSSOP-16, TQFN-16 (4 x 4)
CAT9532	16 LED outputs	8 Slave ID Addresses	2.3 to 5.5			✓	SOIC-24, TSSOP-24, TQFN-24 (4 x 4)
CAT9552	16 LED outputs	8 Slave ID Addresses	2.3 to 5.5			✓	SOIC-24, TSSOP-24, TQFN-24 (4 x 4)
CAT9555	16 GPIO	8 Slave ID Addresses	2.3 to 5.5	✓	✓	NA	SOIC-24, TSSOP-24, TQFN-24 (4 x 4)

Note:  
 1 300mil wide

## VOLTAGE SUPERVISORS

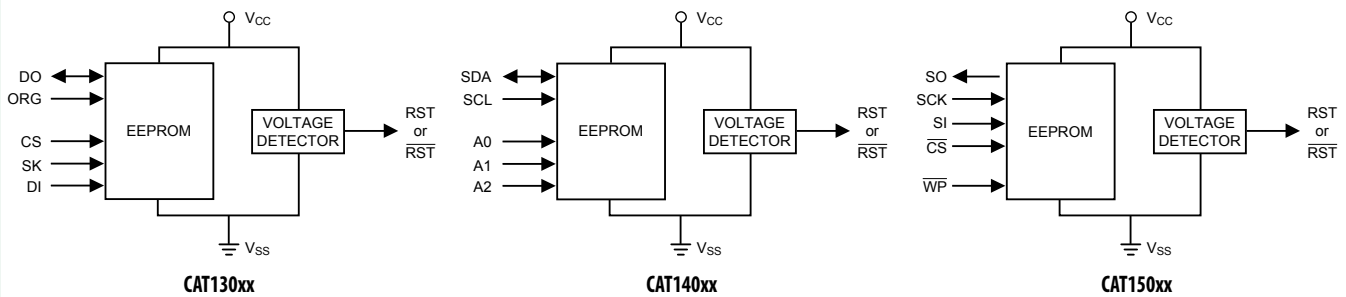
### CAT130xx, CAT140xx, CAT150xx Voltage Supervisors with Broadest Selection of On-Chip EEPROM

#### FEATURES

- ✓ Combined 1 to 16-kbit EEPROM densities
- ✓ Seven threshold voltage options: 4.63V, 4.38V, 4.00V, 3.08V, 2.93V, 2.63V, 2.32V
- ✓ Active high or low reset
- ✓ Valid reset guaranteed at  $V_{CC} = 1V$
- ✓ Supported interfaces: Microwire, I<sup>2</sup>C™, SPI™

#### PACKAGE INFORMATION

- SOIC 8-Lead



### Voltage Supervisors with EEPROM Memory

Part Number	Memory Interface <sup>1</sup>	Density	Reset		Typical Reset Width	Write Protect	Manual Reset	Watchdog Timer Input	Power Fail Voltage	Packages (size in mm)
			Low	High						
CAT1021	I <sup>2</sup> C	2 Kbits	✓	✓	200ms	✓	✓	SDA		PDIP-8, MSOP-8, SOIC-8, TSSOP-8, TDFN-8 (3 x 3)
CAT1022	I <sup>2</sup> C	2 Kbits	✓		200ms		✓	SDA		PDIP-8, MSOP-8, SOIC-8, TSSOP-8, TDFN-8 (3 x 3)
CAT1023	I <sup>2</sup> C	2 Kbits	✓	✓	200ms		✓	WDI		PDIP-8, MSOP-8, SOIC-8, TSSOP-8, TDFN-8 (3 x 3)
CAT1024	I <sup>2</sup> C	2 Kbits	✓		200ms		✓			PDIP-8, MSOP-8, SOIC-8, TSSOP-8, TDFN-8 (3 x 3)
CAT1025	I <sup>2</sup> C	2 Kbits	✓	✓	200ms	✓	✓			PDIP-8, MSOP-8, SOIC-8, TSSOP-8, TDFN-8 (3 x 3)
CAT1026	I <sup>2</sup> C	2 Kbits	✓	✓	200ms		✓ <sup>2</sup>		1 Monitor @ 1.25 V	PDIP-8, MSOP-8, SOIC-8, TSSOP-8, TDFN-8 (3 x 3)
CAT1027	I <sup>2</sup> C	2 Kbits	✓		200ms		✓ <sup>2</sup>	WDI	1 Monitor @ 1.25 V	PDIP-8, MSOP-8, SOIC-8, TSSOP-8, TDFN-8 (3 x 3)
CAT1161	I <sup>2</sup> C	16 Kbits	✓	✓	200ms	✓	✓ <sup>2</sup>	SDA		PDIP-8, SOIC-8
CAT1162	I <sup>2</sup> C	16 Kbits	✓	✓	200ms	✓	✓ <sup>2</sup>			PDIP-8, SOIC-8
CAT1163	I <sup>2</sup> C	16 Kbits	✓	✓	200ms	✓	✓ <sup>2</sup>	WDI		PDIP-8, SOIC-8
CAT1320	I <sup>2</sup> C	32 Kbits	✓		200ms		✓ <sup>2</sup>			PDIP-8, SOIC-8, TSSOP-8, TDFN-8 (3 x 4.9)
CAT1321	I <sup>2</sup> C	32 Kbits		✓	200ms					PDIP-8, SOIC-8, TSSOP-8, TDFN-8 (3 x 4.9)
CAT1640	I <sup>2</sup> C	64 Kbits	✓		200ms		✓ <sup>2</sup>			PDIP-8, SOIC-8, TSSOP-8, TDFN-8 (3 x 4.9)
CAT1641	I <sup>2</sup> C	64 Kbits		✓	200ms					PDIP-8, SOIC-8, TSSOP-8, TDFN-8 (3 x 4.9)
CAT130xx	μ-wire	1, 4, 8, 16 Kbits	✓		240ms					SOIC-8
CAT140xx	I <sup>2</sup> C	2, 4, 8, 16 Kbits	✓		240ms					SOIC-8
CAT150xx	SPI	2, 4, 8, 16 Kbits	✓		240ms					SOIC-8

**Broadest Selection of Memory**

#### Notes:

- I<sup>2</sup>C™ is a trademark of Philips Corporation. Catalyst Semiconductor is licensed by Philips Corporation to carry the I<sup>2</sup>C Bus Protocol. SPI is a trademark of Motorola, Inc.
- RESET pin can be used as an input for Push-Button Manual Reset.

## VOLTAGE SUPERVISORS

Part Number	No. of Voltage Monitors	Nominal Threshold Voltage [V]														Reset			Power Fail Voltage	Packages		
		4.63	4.38	4.0	3.2	3.08	2.93	2.88	2.7	2.63	2.55	2.32	2.19	1.68	Low	High	Open Drain	Manual Reset			Watchdog Timer	
CAT705	2	✓															✓		✓	✓	1 Monitor @ 1.25 V	SOIC-8
CAT706	2		✓														✓	✓		✓	1 Monitor @ 1.25 V	SOIC-8
CAT707	2	✓															✓		✓	✓	1 Monitor @ 1.25 V	SOIC-8
CAT708	2		✓														✓	✓		✓	1 Monitor @ 1.25 V	SOIC-8
CAT803	1	L	M	J		T	S							R	Z		✓		✓			SC70-3, SOT23-3
CAT808N <sup>1</sup>	1				✓												✓		✓			TSOT23-5
CAT809	1	L	M	J		T	S							R	Z		✓					SC70-3, SOT23-3
CAT810	1	L	M	J		T	S							R	Z			✓				SC70-3, SOT23-3
CAT811	1	L	M	J		T	S							R	Z		✓		✓			SOT143-4
CAT812	1	L	M	J		T	S							R	Z			✓	✓			SOT143-4
CAT813	2	✓																✓	✓	✓	1 Monitor @ 1.25 V	SOIC-8
CAT823	1	L	M			T	S							R	Z	Y	✓		✓	✓		TSOT23-5, SC70-5
CAT824	1	L	M			T	S							R	Z	Y	✓	✓		✓		TSOT23-5, SC70-5
CAT825	1	L	M			T	S							R	Z	Y	✓	✓		✓		TSOT23-5, SC70-5
CAT853	1		M			T	S										✓		✓			SOT23-3
CAT859	1		M			T	S										✓					SOT23-3
CAT863	1		M			T	S										✓		✓			SOT23-3
CAT869	1		M			T	S										✓					SOT23-3
CAT882	3	✓				✓	✓	✓							✓		✓		✓	✓	1 Monitor @ 0.6 V	MSOP-8, SOIC-8
CAT883	3	✓				✓	✓	✓							✓		✓		✓	✓	1 Monitor @ 0.6 V	MSOP-8, SOIC-8
CAT884	4																✓		✓	✓	4 Monitors @ 0.6 V	MSOP-8, SOIC-8
CAT885	5	✓				✓	✓	✓							✓		✓		✓	✓	3 Monitors @ 0.6 V	MSOP-8, SOIC-8
CAT1232LP	1	✓	✓														✓	✓		✓	✓	PDIP-8, MSOP-8, SOIC-8, SOIC-16
CAT1832	1							✓						✓			✓	✓		✓	✓	PDIP-8, MSOP-8, SOIC-8

Note:  
1 Voltage detector (no delay).

LED Drivers  
DC/DC Converters  
Linear Voltage Regulators  
Bus Products  
Voltage Supervisors  
Digital Potentiometers  
Serial EEPROMs  
Parallel EEPROMs  
FLASH Memories  
NVRAM

## DIGITALLY PROGRAMMABLE POTENTIOMETERS (DPP™)

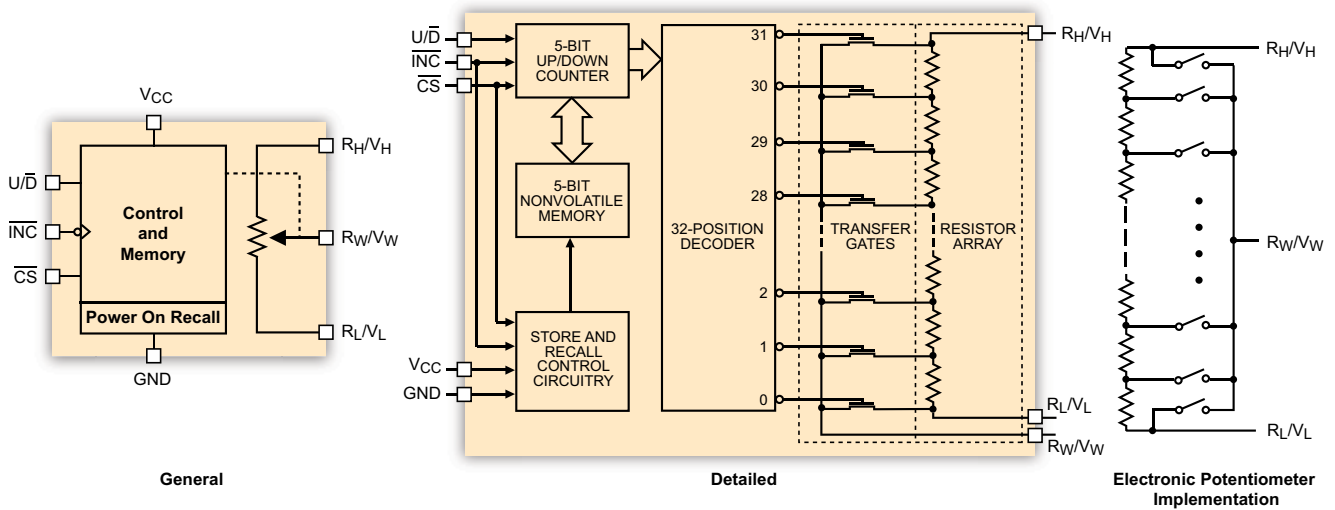
### CAT5114 32-Tap, Non-Volatile DPP™ in 2 x 2.5mm TDFN

#### FEATURES

- ✓ 32-position linear taper potentiometer
- ✓ Resistance values: 10kΩ, 50kΩ, 100kΩ
- ✓ Non-volatile EEPROM wiper storage
- ✓ Increment up/down serial interface
- ✓ Single supply operation: 2.5V – 6V
- ✓ Low standby current
- ✓ Can be used as three-terminal resistive divider, or two-terminal variable resistor

#### PACKAGE INFORMATION

- TDFN 8-Pad (2 x 2.5mm)
- TSSOP 8-Lead
- SOIC 8-Lead
- PDIP 8-Lead
- MSOP 8-Lead



LED Drivers  
DC/DC Converters  
Linear Voltage Regulators  
Bus Products  
Voltage Supervisors  
Digital Potentiometers  
Serial EEPROMs  
Parallel EEPROMs  
FLASH Memories  
NVRAM

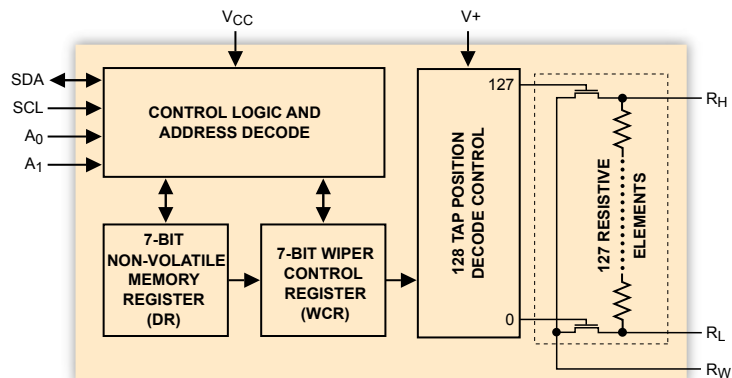
### CAT5132 16V, 128 Tap DPP™ with 2-Wire Interface

#### FEATURES

- ✓ 128 resistor taps
- ✓ 2-wire (I<sup>2</sup>C™-like) interface
- ✓ Power supply: 2.7V to 5.5V
- ✓ Non-volatile memory storage for wiper settings
- ✓ Automatic wiper setting recall at power up

#### PACKAGE INFORMATION

- MSOP 10-Lead



## DIGITALLY PROGRAMMABLE POTENTIOMETERS (DPP™)

Digitally Programmable Potentiometers (DPP™)								
Part Number	Number of Pots	Number of Taps	Resistance [kΩ]	Buffered Wiper	Interface	Volatile	Non-Volatile	Packages
CAT5120	1	16	10, 50, 100		INC/DEC	✓		SOT23-6, SC70-6
CAT5121	1	16	10, 50, 100		INC/DEC	✓		SOT23-6, SC70-6
CAT5122	1	16	10, 50, 100		INC/DEC	✓		SOT23-5, SC70-5
CAT5110	1	32	10, 50, 100		INC/DEC	✓		SOT23-6, SC70-6
CAT5112	1	32	10, 50, 100	✓	INC/DEC		✓	PDIP-8, SOIC-8, MSOP-8, TSSOP-8
CAT5114	1	32	10, 50, 100		INC/DEC		✓	PDIP-8, SOIC-8, MSOP-8, TDFN-8, TSSOP-8
CAT5115	1	32	10, 50, 100		INC/DEC	✓		PDIP-8, SOIC-8, MSOP-8, TSSOP-8
CAT5118	1	32	10, 50, 100		INC/DEC	✓		SOT23-5, SC70-5
CAT5119	1	32	10, 50, 100		INC/DEC	✓		SOT23-6, SC70-6
CAT5123	1	32	10, 50, 100		INC/DEC	✓		SOT23-5
CAT5124	1	32	10, 50, 100		INC/DEC	✓		SOT23-6
CAT5125	1	32	10, 50, 100		INC/DEC	✓		SOT23-6
CAT5126	1	32	10, 50, 100		2-Wire	One-Time Programmable		MSOP-8, TDFN-8
CAT5127	1	32	10, 50, 100		INC/DEC		✓	MSOP-8, TDFN-8
CAT5128	1	32	10, 50, 100		UP/DOWN	✓		SOT23-8
CAT5129	1	32	10, 50, 100		INC/DEC		✓	TSOT23-6
CAT5111	1	100	10, 50, 100	✓	INC/DEC		✓	PDIP-8, SOIC-8, MSOP-8, TSSOP-8
CAT5113	1	100	1, 10, 50, 100		INC/DEC		✓	PDIP-8, SOIC-8, MSOP-8, TSSOP-8
CAT5116	1	100	32 (Log Taper)		INC/DEC		✓	PDIP-8, SOIC-8, MSOP-8, TSSOP-8
CAT5132	1	128	10, 50, 100		2-Wire		✓	MSOP-10
CAT5133	1	128	10, 50, 100		INC/DEC		✓	MSOP-10
CAT521	1	256	6	✓	Microwire		✓	PDIP-14, SOIC-14
CAT5221	2	64	2.5, 10, 50, 100		2-Wire		✓	SOIC-20, TSSOP-20
CAT5411	2	64	2.5, 10, 50, 100		SPI		✓	SOIC-24, TSSOP-24
CAT5419	2	64	2.5, 10, 50, 100		2-Wire		✓	SOIC-24, TSSOP-24
CAT522	2	256	24	✓	Microwire		✓	PDIP-14, SOIC-14
CAT523	2	256	6	✓	Microwire		✓	PDIP-14, SOIC-14
CAT5261	2	256	50, 100		SPI		✓	SOIC-24, TSSOP-24
CAT5269	2	256	50, 100		2-Wire		✓	SOIC-24, TSSOP-24
CAT5241	4	64	2.5, 10, 50, 100		2-Wire		✓	SOIC-20, TSSOP-20
CAT5401	4	64	2.5, 10, 50, 100		SPI		✓	SOIC-24, TSSOP-24
CAT5409	4	64	2.5, 10, 50, 100		2-Wire		✓	SOIC-24, TSSOP-24
CAT524	4	256	6	✓	Microwire		✓	PDIP-14, SOIC-14
CAT525	4	256	24	✓	Microwire		✓	PDIP-20, SOIC-20
CAT5251	4	256	50, 100		SPI		✓	SOIC-24, TSSOP-24
CAT5259	4	256	50, 100		2-Wire		✓	SOIC-24, TSSOP-24

LED Drivers

DC/DC Converters

Linear Voltage Regulators

Bus Products

Voltage Supervisors

Digital Potentiometers

Serial EEPROMs

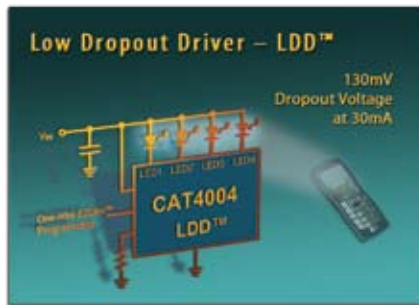
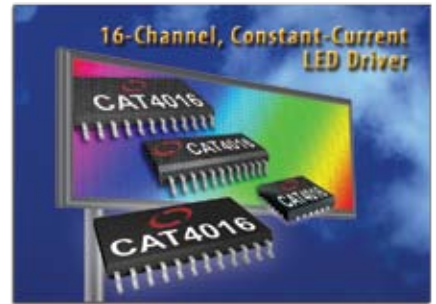
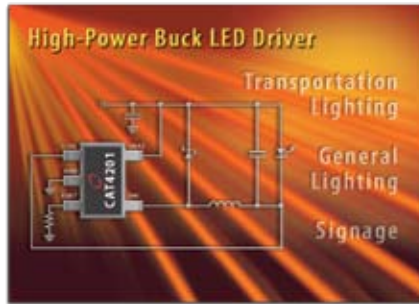
Parallel EEPROMs

FLASH Memories

NVRAM

# MIXED SIGNAL PRODUCTS

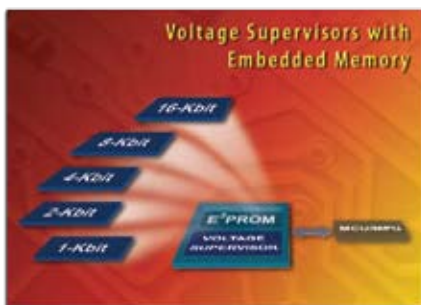
## World's Best LED Drivers



## LDO Regulators



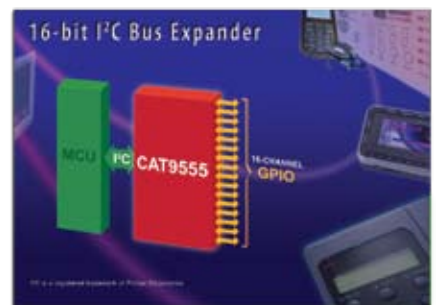
## Voltage Supervisors



## World's Smallest Digital Potentiometers



## Bus Products

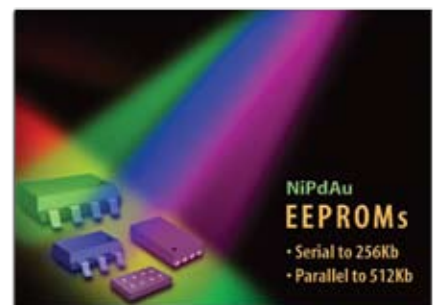




# MEMORY PRODUCTS

Serial EEPROMs		Parallel EEPROMs	Flash	NVRAM
<b>I<sup>2</sup>C™ Bus, Full Array Write Protect</b>	<b>SPI Bus with Block Write Protection</b>	CAT28C16A CAT28C17A CAT28C64B CAT28C65B CAT28LV64 CAT28LV65 CAT28C256 CAT28C257 CAT28LV256 CAT28C512 CAT28C513	<b>Boot Block</b>	CAT22C10 CAT24C44
CAT24C01	CAT25010		CAT28F001	
CAT24C02	CAT25020		<b>Bulk Erase</b>	
CAT24C04	CAT25040		CAT28F512	
CAT24C08	CAT25080		CAT28F010	
CAT24C16	CAT25160		CAT28F020	
CAT24C164	CAT25320			
CAT24C32	CAT25640			
CAT24C64	CAT25128			
CAT24C128	CAT25256			
CAT24C256				
	<b>Microwire Bus</b>			
<b>I<sup>2</sup>C™ Bus, Full Array Write Protect No Address Input Pins</b>	CAT93C46			
CAT24AA02	CAT93C46R			
CAT24AA04	CAT93C56			
CAT24AA08	CAT93C57			
CAT24AA16	CAT93C66			
	CAT93C76			
	CAT93C86			
<b>I<sup>2</sup>C™ Bus, Partial Array Write Protect</b>				
CAT24C03				
CAT24C05				
<b>Application Specific EEPROM</b>				
CAT34C02				
CAT24C21				
CAT24C208				

Wide Range of EEPROMs, FLASH, NVRAM





## SERIAL EEPROMS

### CAT34C02 2-Kb I<sup>2</sup>C™ Serial EEPROM, Serial Presence Detect

#### FEATURES

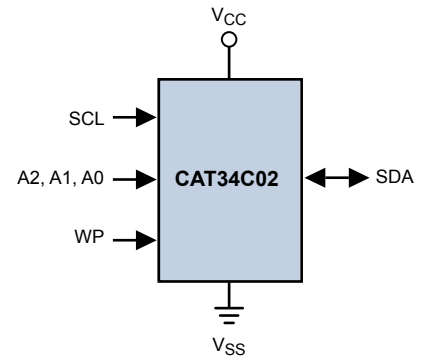
- ✓ Software Write Protection for first 128 Bytes
  - Permanent Software Write Protect (PSWP)
  - Reversible Software Write Protect (RSWP)
- ✓ Standard and Fast (400kHz) I<sup>2</sup>C™\* Protocol
- ✓ 1.7V to 5.5V Supply Voltage
- ✓ 16-Byte Page Write Buffer
- ✓ Hardware Write Protection for entire memory
- ✓ 1,000,000 Program/Erase Cycles
- ✓ 100 Year Data Retention

#### PACKAGE INFORMATION

- ✓ RoHS-compliant packages
  - TSSOP (Y)
  - TDFN 2 x 3mm (VP2)

#### APPLICATIONS

- DDR1 and DDR2 memory modules



\* I<sup>2</sup>C™ is a trademark of Philips Corporation. Catalyst Semiconductor is licensed by Philips Corporation to carry the I<sup>2</sup>C Bus Protocol.

### CAT34C02 and Serial Presence Detect (SPD) for DDR2 Memory Modules

- **Permanent and Reversible Software Write Protect**
  - Compatible with JEDEC standard for the DDR2 DIMM memory market
- **PSWP backward compatible with DDR1 SPD**
  - $V_{CC} = 1.7V$  to  $5.5V$
- **RSWP is a temporary lock command for SPD**
  - Requires a High Voltage ( $V_{HV}$ ) on A0 pin
    - $V_{CC} = 1.7V$  to  $3.6V$
    - $V_{HV} = 7V$  to  $10V$ ; overdrive  $V_{HV} - V_{CC} > 4.8V$

	PIN			Slave Address							
Command	A2	A1	A0	B7	B6	B5	B4	B3	B2	B1	B0
Set PSWP	SA2	SA1	SA0	0	1	1	0	SA2	SA1	SA0	0
Set RSWP	0	0	$V_{HV}$	0	1	1	0	0	0	1	0
Clear RSWP	0	1	$V_{HV}$	0	1	1	0	0	1	1	0

## Serial EEPROMs Overview

- ✓ Complete Industry Standard Protocols:
  - I<sup>2</sup>C™: CAT24Cxxx Family
  - Microwire: CAT93Cxx Family
  - SPI™: CAT25xxx Family
- ✓ Wide  $V_{CC}$  Operating Range: 1.8V / 1.7V to 5.5V
- ✓ High Endurance: 1 million cycles
- ✓ Low Power
- ✓ Industrial and Extended Temperature Range
- ✓ RoHS-Compliant Packages with NiPdAu Finish
  - PDIP, TSSOP, SOIC, MSOP 8-Lead
  - TDFN, UDFN 8-Pad (2 x 3mm)
  - TSOT-23 5-Lead
- ✓ Chip Scale Package Solutions: contact factory for availability



**SERIAL EEPROMS**

**I<sup>2</sup>C™ Bus Serial EEPROM Family, Full Array Write Protect**

Part Number	Density (Organization)	Address Pins	V <sub>IN</sub> [V]	Max. Clock Frequency	Packages							Temperature Range	
					PDIP-8	SOIC-8 (JEDEC)	TSSOP-8	TDFN (2 x 3mm)	TDFN (3 x 3mm)	TDFN (3 x 4.9mm)	TSOT 23-5		
CAT24C01	1 Kb (128x8)	Yes	1.8 - 5.5	400 kHz	L	W	Y	VP2				TD	I, E
CAT24C02	2 Kb (256x8)	Yes	1.8 - 5.5	400 kHz	L	W	Y	VP2				TD	I, E
CAT24AA02	2 Kb (256x8)	No	1.7 - 5.5	400 kHz		W						TD	I
CAT24C04	4 Kb (512x8)	Yes	1.8 - 5.5	400 kHz	L	W	Y	VP2				TD	I, E
CAT24AA04	4 Kb (512x8)	No	1.7 - 5.5	400 kHz		W						TD	I
CAT24C08	8 Kb (1Kx8)	Yes	1.8 - 5.5	400 kHz	L	W	Y	VP2				TD	I, E
CAT24AA08	8 Kb (1Kx8)	No	1.7 - 5.5	400 kHz		W						TD	I
CAT24C16	16 Kb (2Kx8)	No	1.8 - 5.5	400 kHz	L	W	Y	VP2				TD	I, E
CAT24AA16	16 Kb (2Kx8)	No	1.7 - 5.5	400 kHz		W						TD	I
CAT24C164	16 Kb (2Kx8)	Yes	1.8 - 5.5	400 kHz	L	W	Y	VP2					I, E
CAT24C32	32 Kb (4Kx8)	Yes	1.8 - 5.5	400 kHz	L	W	Y	VP2					I, E
CAT24C64	64 Kb (8Kx8)	Yes	1.8 - 5.5	400 kHz	L	W	Y	VP2					I, E
CAT24C128	128 Kb (16Kx8)	Yes	1.8 - 5.5	400 kHz	L	W	Y	HU3 <sup>1</sup>					I, E
CAT24C256	256 Kb (32Kx8)	Yes	1.8 - 5.5	400 kHz	L	W	Y			ZD2			I, E

**I<sup>2</sup>C™ Bus Serial EEPROM Family, Partial Array Write Protect**

Part Number	Density (Organization)	V <sub>IN</sub> [V]	Max. Clock Frequency	Packages							Temperature Range	
				PDIP-8	SOIC-8 (JEDEC)	TSSOP-8	TDFN (2 x 3mm)	TDFN (3 x 3mm)	TDFN (3 x 4.9mm)	TSOT 23-5		
CAT24C03	2 Kb (256x8)	1.8 - 5.5	400 kHz	L	W	Y	VP2				TD	I, E
CAT24C05	4 Kb (512x8)	1.8 - 5.5	400 kHz	L	W	Y	VP2				TD	I, E

**I<sup>2</sup>C™ Bus Application Specific EEPROM**

Part Number	Density (Organization)	V <sub>IN</sub> [V]	Max. Clock Frequency	Packages							Temperature Range	
				PDIP-8	SOIC-8 (JEDEC)	TSSOP-8	TDFN (2 x 3mm)	TDFN (3 x 3mm)	TDFN (3 x 4.9mm)	TSOT 23-5		
CAT34C02	2 Kb (256x8)	1.7 - 5.5 <sup>2</sup>	400 kHz			Y	VP2					I
CAT24C21	1 Kb (128x8)	2.5 - 5.5	400 kHz	L	W	Y		ZD4				I, E
CAT24C208	8 Kb (1Kx8)	2.5 - 5.5	400 kHz		W							I

Notes:

1 UDFN (2 x 3mm)

2 CAT34C02 Reversible Software Write Protect Feature V<sub>CC</sub> = 1.7V to 3.6V

LED Drivers  
DC/DC Converters  
Linear Voltage Regulators  
Bus Products  
Voltage Supervisors  
Digital Potentiometers  
Serial EEPROMs  
Parallel EEPROMs  
FLASH Memories  
NVRAM

## SERIAL EEPROMS

### SPI Bus Serial EEPROM Family with Block Write Protection

Part Number	Density (Organization)	V <sub>IN</sub> [V]	Max. Clock Frequency / Min. V <sub>CC</sub>	Packages						Temperature Range
				PDIP-8	SOIC-8 (JEDEC)	TSSOP-8	TDFN (2 x 3mm)	SOIC-8 (EIAJ)	TDFN (3 x 4.9mm)	
CAT25010	1 Kb (128x8)	1.8 - 5.5	10MHz/2.5V, 5MHz/1.8V	L	V	Y	VP2			I, E
CAT25020	2 Kb (256x8)	1.8 - 5.5	10MHz/2.5V, 5MHz/1.8V	L	V	Y	VP2			I, E
CAT25040	4 Kb (512x8)	1.8 - 5.5	10MHz/2.5V, 5MHz/1.8V	L	V	Y	VP2			I, E
CAT25080	8 Kb (1Kx8)	1.8 - 5.5	10MHz/2.5V, 5MHz/1.8V	L	V	Y	VP2			I, E
CAT25160	16 Kb (2Kx8)	1.8 - 5.5	10MHz/2.5V, 5MHz/1.8V	L	V	Y	VP2			I, E
CAT25320	32 Kb (4Kx8)	1.8 - 5.5	10MHz/2.5V, 5MHz/1.8V	L	V	Y	VP2			I, E
CAT25640	64 Kb (8Kx8)	1.8 - 5.5	10MHz/2.5V, 5MHz/1.8V	L	V	Y	VP2			I, E
CAT25128	128 Kb (16Kx8)	1.8 - 5.5	10MHz/2.5V, 5MHz/1.8V	L	V	Y	VP2	X		I, E
CAT25256	256 Kb (32Kx8)	1.8 - 5.5	10MHz/2.5V, 5MHz/1.8V	L	V	Y		X	ZD2	I, E

### Microwire Bus Serial EEPROM Family

Part Number	Density (Organization)	V <sub>IN</sub> [V]	Max. Clock Frequency	Packages						Temperature Range
				PDIP-8	SOIC-8 (JEDEC)	SOIC-8 (EIAJ)	TSSOP-8	TDFN (2 x 3mm)	TDFN (3 x 3mm)	
CAT93C46	1 Kb (64x16/128x8)	1.8 - 5.5	2MHz	L	V / W <sup>1</sup>	X	Y	VP2		I, E
CAT93C46R	1 Kb (64x16/128x8)	1.8 - 5.5	2MHz	L	V / W <sup>1</sup>	X	Y	VP2		I, E
CAT93C56	2 Kb (128x16/256x8)	1.8 - 5.5	2MHz	L	V / W <sup>1</sup>	X	Y	VP2		I, E
CAT93C57	2 Kb (128x16/256x8)	1.8 - 5.5	2MHz	L	V / W <sup>1</sup>	X	Y	VP2		I, E
CAT93C66	4 Kb (256x16/512x8)	1.8 - 5.5	2MHz	L	V / W <sup>1</sup>	X	Y	VP2		I, E
CAT93C76	8 Kb (512x16/1024x8)	1.8 - 5.5	3MHz/2.5V, 1MHz/1.8V	L	V		Y		ZD4	I, E
CAT93C86	16 Kb (1024x16/2048x8)	1.8 - 5.5	3MHz/4.5V, 1MHz/2.5V, 0.5MHz/1.8V	L	V / W <sup>1</sup>	X	Y		ZD4	I, E

Note:

1 W = Rotated pinout with V<sub>CC</sub> on pin 2.

**PARALLEL EEPROMS**

Parallel EEPROMs										
Part Number	Density (Organization)	Access Time (ns)	I <sub>CC</sub> (Active/Standby)	V <sub>IN</sub> [V]	Packages (Pin Count)					Temperature Range
					PDIP	SOIC-JEDEC	SOIC-EIAJ	PLCC	TSOP	
CAT28C16A	16 Kb (2Kx8)	90, 120, 200	25mA/100µA	4.5 - 5.5	L (24)	W (24)	X (24)	G (32)		C, I, A
CAT28C17A	16 Kb (2Kx8)	90, 120, 200	25mA/100µA	4.5 - 5.5	L (28)	W (28)	X (28)	G (32)		C, I, A
CAT28C64B	64 Kb (8Kx8)	90, 120, 150	25mA/100µA	4.5 - 5.5	L (28)	W (28)	X (28)	G (32)	H13 (28)	C, I, A
CAT28C65B	64 Kb (8Kx8)	90, 120, 150	25mA/100µA	4.5 - 5.5	L (28)	W (28)	X (28)	G (32)	H13 (28)	C, I, A
CAT28LV64	64 Kb (8Kx8)	150, 200, 250	8mA/100µA	3.0 - 3.6	L (28)	W (28)	X (28)	G (32)	H13 (28)	C, I, A
CAT28LV65	64 Kb (8Kx8)	150, 200, 250	8mA/100µA	3.0 - 3.6	L (28)	W (28)	X (28)	G (32)	H13 (28)	C, I, A
CAT28C256	256 Kb (32Kx8)	120, 150	25mA/150µA	4.5 - 5.5	L (28)			G (32)	H13 (28)	C, I, A
CAT28C257	256 Kb (32Kx8)	120, 150	25mA/150µA	4.5 - 5.5	L (28)			G (32)		C, I, A
CAT28LV256	256 Kb (32Kx8)	200, 250, 300	15mA/150µA	3.0 - 3.6	L (28)			G (32)	H13 (28)	C, I, A
CAT28C512	512 Kb (64Kx8)	120, 150	50mA/500µA	4.5 - 5.5	L (28)			G (32)	H14 (32)	C, I, A
CAT28C513	512 Kb (64Kx8)	120, 150	50mA/500µA	4.5 - 5.5				G (32)		C, I, A

**FLASH**

Flash Memories – Boot Block									
Part Number	Density (Organization)	Access Time (ns)	I <sub>CC</sub> (Active/Standby)	V <sub>IN</sub> [V]	Packages (Pin Count)				Temperature Range
					PDIP	PLCC	TSOP	TSOP Reverse	
CAT28F001	1 Mb (128Kx8)	90, 120	30mA/100µA	5 - 12	L (32)	G (32)	H14 (32)		C, I, A

Flash Memories – Bulk Erase									
Part Number	Density (Organization)	Access Time (ns)	I <sub>CC</sub> (Active/Standby)	V <sub>IN</sub> [V]	PDIP	PLCC	TSOP	HR (32)	Temperature Range
CAT28F512	512 Kb (64Kx8)	90, 120, 150	30mA/100µA	5 - 12	L (32)	G (32)	H14 (32)	HR (32)	C, I, A
CAT28F010	1 Mb (128Kx8)	90, 120	30mA/100µA	5 - 12	L (32)	G (32)	H14 (32)	HR (32)	C, I, A
CAT28F020	2 Mb (256Kx8)	90, 120	30mA/100µA	5 - 12	L (32)	G (32)	H14 (32)	HR (32)	C, I, A

**NVRAM**

NVRAM							
Part Number	Density (Organization)	Access Time (ns)	I <sub>CC</sub> (Active/Standby)	V <sub>IN</sub> [V]	Packages (Pin Count)		Temperature Range
					PDIP	SOIC-JEDEC	
CAT22C10	256 b (64x4)	200, 300	40mA/30µA	4.5 - 5.5	L (18)	W (16)	C, I, A
CAT24C44	256 b (16x16)	375	3mA/30µA	4.5 - 5.5	L (8)	V (8)	C, I, A

LED Drivers  
DC/DC Converters  
Linear Voltage Regulators  
Bus Products  
Voltage Supervisors  
Digital Potentiometers  
Serial EEPROMs  
Parallel EEPROMs  
FLASH Memories  
NVRAM

Catalyst Semiconductor offers an environment-friendly package option for all products. By combining Pb-free finish and halogen-free package molding compound, manufacturers can qualify and put into production a complete "Green" solution.

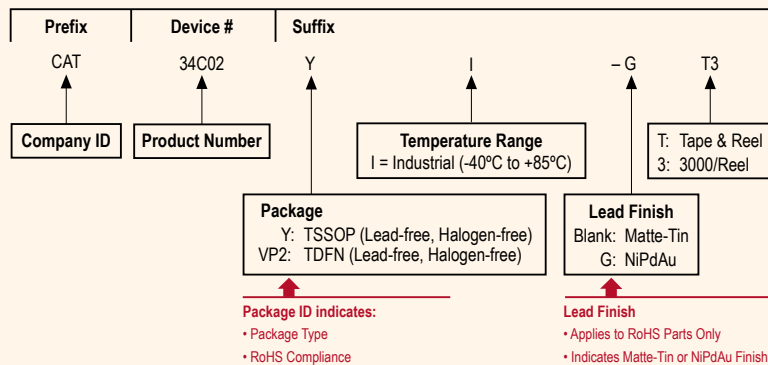
All of Catalyst's "Green" parts are fully compliant with the China and European RoHS<sup>1</sup> regulations, which set specific limits on the levels of certain prohibited substances including: lead, mercury, cadmium, hexavalent chromium, polybrominated biphenyls (PBB), polybrominated diphenyl ethers (PBDE).

All of the elements that comprise an IC can contain banned substances. The package mold compound may contain polybromide and even the ink used to mark a device needs to be verified for compliance to the RoHS directive. However, the major issue related to green is plating of the device leads. Leads are typically copper and to ensure solderability to a PCB, they are plated. This plating in the past has typically been a tin-lead alloy (SnPb). Catalyst's green products use Pb-free nickel-palladium-gold (NiPdAu) or matte-tin for the finish.

### Catalyst Package Code Summary

Catalyst recognizes the need for manufacturers to quickly and easily discriminate between RoHS and non-RoHS-compliant devices. We meet this requirement through the use of a unique package ID to denote RoHS-compliant packages. Each package has one ID for non-RoHS-compliant versions and a separate ID to denote RoHS compliance.

We provide further traceability on the actually lead finish used on RoHS-compliant parts. When NiPdAu finish has been used, "-G" is added after the part number. RoHS-compliant parts that do not have the "-G" after the part number have matte-tin finish.

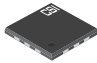

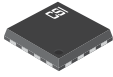
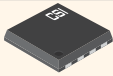




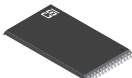


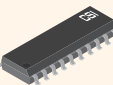
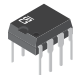


### Environmentally Sound Commitment

Catalyst is committed to environmentally sound semiconductor practices and to providing products that fully conform to RoHS directives and beyond.

**Note:**

1 RoHS: Restriction of Hazardous Substances

Package	Description	Number of Leads/Pads	Package Codes	
			Legacy (SnPb)	RoHS-Compliant
 XQFN	XQFN (2.5 x 2.5mm) (eXtra low profile: 0.4mm height)	12	–	HL1
 UDFN	UDFN (2 x 2mm)	8	–	HU2
	UDFN (2 x 3mm)	8	–	HU3
 TQFN	TQFN (3 x 3mm)	16	HS3	HV3
	TQFN (4 x 4mm)	16	HS4	HV4
	TQFN (4 x 4mm)	20	HS5	HV5
	TQFN (4 x 4mm)	24	HS6	HV6
 TDFN	TDFN (2 x 2mm)	6	–	VP5
	TDFN-S-MSOP (3 x 4.9mm)	8	RD2	ZD2
	TDFN (3 x 3mm)	8	RD4	ZD4
	TDFN (2 x 2.5mm)	8	RD7	ZD7
	TDFN (4 x 4mm)	8	RD8	ZD8
	TDFN (2 x 3mm)	8	SP2	VP2
	TDFN (3 x 3mm)	10	HS1	HV1
	TDFN (3 x 3mm)	12	HS2	HV2
 PLCC	PLCC	32	N	G
 SC-70	SC-70	3, 5, 6	SB	SD
 SOT	SOT-23	3, 5, 6, 8	TP	TB
	TSOT-23	5, 6	TS	TD
	SOT-143	4	TP	TB
 TSSOP	TSSOP (4.4mm)	8, 14, 16, 20, 24, 28	U	Y
 TSOP	TSOP (8 x 13.4mm)	28	T13	H13
	TSOP (8 x 14mm)	32	T14	H14, HR
	TSOP (8 x 20mm)	32	T20	H20
 MSOP	MSOP (3.0mm)	8, 10	R	Z
 QSOP	QSOP	16, 24	–	V5
 SOIC	SOIC (150 mils)	8, 14, 16	S, J	V, W
	SOIC (300 mils)	16, 20, 24, 28	S, J	V, W
	SOIC (208 mils) EIAJ	8	K	X
	SOIC (300 mils) ext. leads	24, 28	K	X
 PDIP	PDIP 300 mils	8, 14, 18, 20	P	L
	PDIP 600 mils	24, 28, 32	P	L



For specific package outline drawings and other package information, see website: <http://www.catsemi.com/techsupport/packaging.html>



## CATALYST SEMICONDUCTOR REGIONAL SALES OFFICES

### EUROPE

#### NORTH AND SOUTH EUROPE

Telephone: +(44) 7787 538243

Email: sales.europe@catsemi.com

#### CENTRAL AND EAST EUROPE

Telephone: +49 (8341) 965-119

Email: sales.europe@catsemi.com

### ASIA

#### CHINA

##### Shanghai

Telephone: +(86) 21 62491349

Email: sales.china@catsemi.com

##### Shenzhen

Telephone: +(86) 755 83021558

Email: sales.china@catsemi.com

#### JAPAN

Telephone: +(81) 45 260-8400

Email: sales.japan@catsemi.com

#### KOREA

Telephone: +(82) 31 906 6102

Email: sales.korea@catsemi.com

#### TAIWAN

Telephone: +(886) 2 279-36432

Email: sales.taiwan@catsemi.com

#### SINGAPORE, SOUTH ASIA, AUSTRALIA, NEW ZEALAND

Telephone: +(65) 67458732

Email: sales.singapore@catsemi.com

### AMERICAS

#### UNITED STATES

##### Central/Eastern US

Telephone: +(1) 847 836-6526

Email: sales.ncusa@catsemi.com

##### Western US

Telephone: +(1) 408 542-1000

Email: sales.westusa@catsemi.com

#### CANADA

Telephone: +(1) 847 836-6526

Email: sales.canada@catsemi.com

#### MEXICO

Telephone: +(1) 847 836-6526

Email: sales.mexico@catsemi.com

#### SOUTH AMERICA

Telephone: +(1) 847 836-6526

Email: sales.southamerica@catsemi.com



## CUSTOMER SATISFACTION

USA, toll-free: +(1) 800 258-5991, Option #1

Outside USA: +(1) 408 542-1000

Customer support is available during business hours Pacific Time.

## TECHNICAL SUPPORT

USA, call toll-free: +(1) 800 258-5991

For Memory: Option #2

For Analog/Mixed Signal: Option #3

Outside USA, call: +(1) 408 542-1000

Technical support is available during business hours Pacific Time.

Submit technical questions on Catalyst website at:

<http://www.catsemi.com/techsupport/form.html>





## Balancing System Performance and Board Costs



## CATALYST SEMICONDUCTOR PRODUCT POLICIES

### LIMITED WARRANTY

Devices sold by Catalyst Semiconductor, Inc. are covered by the limited warranty and other limited provisions appearing in its Terms of Sale. Catalyst Semiconductor makes no warranty, express, statutory, implied, or by description regarding the information set forth herein or regarding the freedom of the described devices from patent or other intellectual property infringement. Catalyst Semiconductor makes no warranty of merchantability or fitness for any purpose. Catalyst Semiconductor reserves the right to discontinue production and change specifications and prices at any time and without notice. Catalyst Semiconductor, Inc. assumes no responsibility for the use of any circuitry other than circuitry it embodies in a Catalyst Semiconductor product.

### LIFE-RELATED POLICY DISCLAIMER

Catalyst Semiconductor does not authorize the use of any of its products as critical components in life support devices or systems without the express written approval of the President of Catalyst Semiconductor, Inc., as used herein:

1. Life support devices or systems are devices or systems which, (a) are intended for surgical implant into the body, or (b) support or sustain life, and whose failure to perform, when properly used in accordance with instructions for use provided in the labeling, can be reasonably expected to result in a significant injury to the user.
2. A critical component is any component of a life support device or system whose failure to perform can be reasonably expected to cause the failure of the life support device or system, or to affect its safety or effectiveness.

In situations where semiconductor component failure may endanger life, system designers using this product should design the system with appropriate error detection and correction, redundancy and backup features to prevent such an occurrence.

### TRADEMARKS

Product names used in this publication are for identification purposes only and may be trademarks of their respective companies.

IP™ is a trademark of Philips Corporation. Catalyst Semiconductor is licensed by Philips Corporation to carry the IP Bus Protocol. SPI™ is a trademark of Motorola.

Adaptable Analog™, Beyond Memory™, DPP™, EZDim™, LDD™, MiniPot™, Quad-Mode™ and Quantum Charge Programmable™ are trademarks of Catalyst Semiconductor, Inc.

Catalyst Semiconductor, Inc. reserves the right to make changes in the device or specifications described herein without notice. Information in this document is subject to change without notice.

© 2008 Catalyst Semiconductor, Inc.

## Analog, Mixed Signal, Memory

### ● LED Drivers / DC-DC Converters

- ▶ Charge Pumps
- ▶ Boost Converters
- ▶ Buck Converters
- ▶ Linear Voltage Regulators

### ● Voltage Supervisors

- ▶ Voltage Supervisors
- ▶ Microprocessor Watchdogs
- ▶ Supervisors with On-Chip EEPROM

### ● Digital Potentiometers

- ▶ Single, Dual & Quad
- ▶ Up to 256 Taps

### ● Bus Products

- ▶ 8-bit & 16-bit I<sup>2</sup>C™ Expanders

### ● Memories

- ▶ EEPROM
- ▶ Flash
- ▶ NVRAM

### HEADQUARTERS

Catalyst Semiconductor, Inc.  
2975 Stender Way  
Santa Clara, CA 95054  
Phone: +(1) 408 542-1000  
Fax: +(1) 408 542-1200

